

Attuatori Pneumatici Rotanti

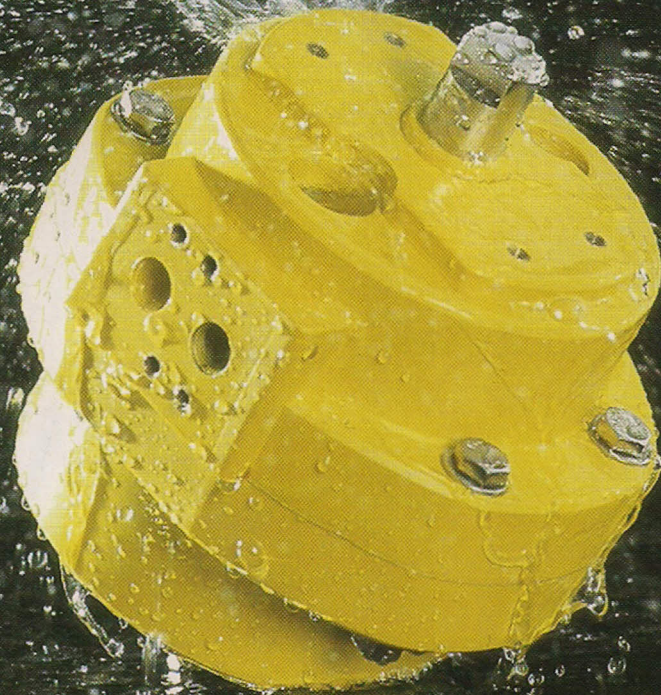
Pneumatic Rotary Actuators
Actionneurs Pneumatiques
Pneumatische Schwenktrieb

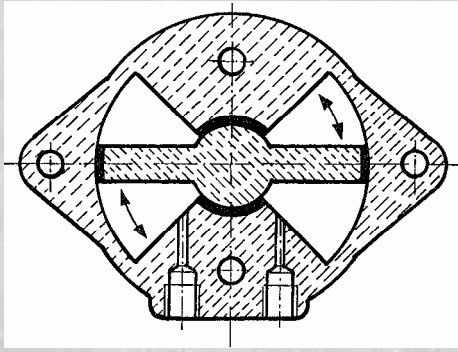
Valida alternativa ad attuatori costruiti interamente in acciaio inox
Coppia costante lungo tutto l'arco di rotazione
Parti meccaniche non soggette ad usura
Ingombro e consumo d'aria ridottissimi a parità di coppia fornita

The real alternative to traditional actuator made from stainless steel
Constant output torque during the complete valve cycle
Non-wearing mechanical components
Small size and limited air consumption

Alternative valable aux actionneurs construits entièrement en acier inox
Couple constant tout au long de l'arc de rotation
Parties mécaniques non sujettes à usure
Encombrement et consommation d'air très réduits par rapport au couple fourni

Eine zuverlässige Alternative zu den heutigen gänzlich in rostfreiem Stahl
hergestellten Schwenkantrieben
Konstantes Drehmoment über den gesamten Schwenkbereich
Mechanische Teile ohne Verschleiß
Geringe Abmessungen und niedriger Luftverbrauch bei konstantem Drehmoment



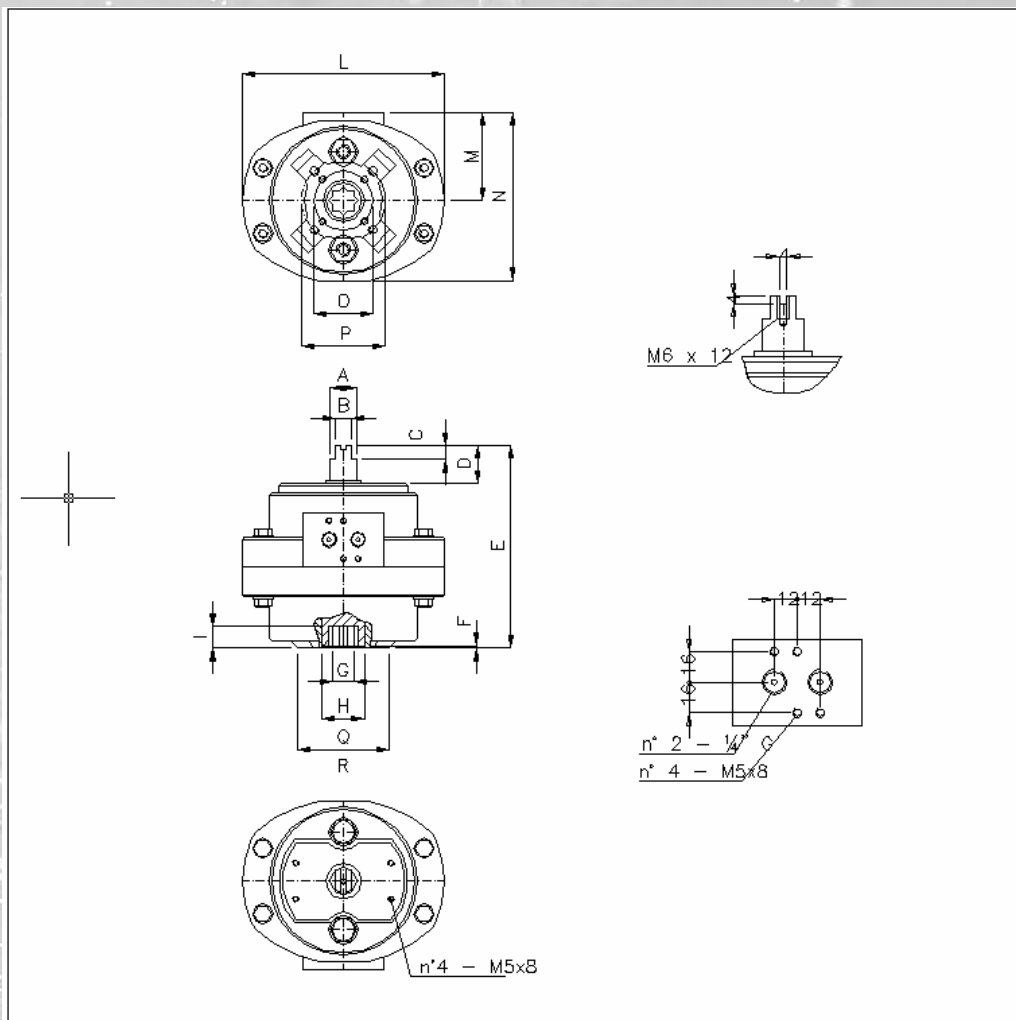


The force-balance principle, the use of patented seals and, consequently, the high working efficiency are some of the features which make the “BAIBY” type actuators the right answer to the most increasing demand of compact size, low consumption actuators.

The use of high-quality plastic materials and stainless steel type “AISI 304” confer the “BAIBY” actuators several advantages, such as:

- perfect functioning in humid or acid environments and also in immersion;
- operated also by fluids different from air such as oil, water and any other fluid compatible with stainless steel and the plastic materials used to manufacture the actuators;
- indestructibility and inalterability of the non-wearing mechanical components;
- replacement of the seals after 1.000.000 cycles.





TYPE	TORQUE VALUES (Nm)									WEIGHT (kg)	CONSUM. (l)
	2 bar	3 bar	4 bar	5 bar	6 bar	7 bar	8 bar	9 bar	10 bar		
BAIBY 0	8	12	18	24	30	36	42	48	54	1	0,1
BAIBY 1	12	24	36	48	60	72	84	96	108	1,6	0,21
BAIBY 2	35	60	85	110	135	160	185	210	235	2,6	0,42
BAIBY 3	80	135	190	245	300	355	410	465	520	5,1	1,02
BAIBY 4	180	310	440	570	700	830	960	1090	1220	9	2,02

TYPE	A	B	C	D	E	F	G	H	I	L	M	N	O	P	Q	R
BAIBY 0	16	10	10	30	135	2	9	16	12	112	48	96	ISO F03 36 - n°4 fori M5x8	ISO F05 50 - n°4 fori M6x10	65	80
BAIBY 1	20	13	12	30	145	3	11/14	26	12/15	142	62	118	ISO F05 50 - n°4 fori M6x10	ISO F07 70 - n°4 fori M8x13	90	80
BAIBY 2	22	13	12	30	168	3	14/17	30	15/18	170	74	141	ISO F05 50 - n°4 fori M6x10	ISO F07 70 - n°4 fori M8x13	90	80
BAIBY 3	25	17	14	30	229	3	17/22	40	17/24	204	88	169	ISO F07 70 - n°4 fori M8x13	ISO F10 102 - n°4 fori M10x16	125	80
BAIBY 4	36	27	14	40	285	3	27	55	29	230	106	206	ISO F10 102 - n°4 fori M10x16	ISO F12 125 - n°4 fori M12x20	150	130

MATERIALS USED:

- Stainless steel type AISI 304
- Nylon 6.6 with 50% fiber glass charge

- Dimensions of couplings according to DIN ISO 5211 specifications.

- Working temperature range
-20°C (-5°F) +110°C (+230°F).

- Maximum pressure up to 10 bar



OPTIONALS

- Magnetic or electric limit switch
- Pilot solenoid valve
- Positioner
- Spring return unit

ON REQUEST

- Couplings with dimension different from DIN/ISO 5211 specifications
- Custom-made colours



Travessa da Prelada, n.º 106 | 4250-379 Porto

GPS N41.169040 W8.630748

Tel: 228 305 348/422 | Tlm: 964 096 068 | Fax: 228305425

www.sertequi.pt | geral@sertequi.pt